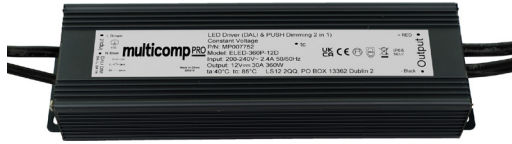


# 360W DALI & Push Dimmable LED Drivers

**multicomp** PRO



## Features

- Constant voltage/ PWM Output
- DALI & Push dimming function
- AC input: 100V AC to 265V AC
- Built-in active PFC function
- Efficiency up to 91.2%
- Protections: Short circuit/ Over load/ Over temperature
- Cooling by free air convection
- IP66 design for indoor and outdoor installation.
- Suitable for intelligent LED lighting

**RoHS  
Compliant**

Models	MP007752	MP007753
<b>Output Specifications</b>		
Output Voltage	12V	24V
Voltage Tolerance	±0.5V	
Output Current	30A	15A
Rated Power	360W	
Load Regulation	±2%	
<b>Input Specifications</b>		
Input Voltage	100V AC to 265V AC	
Frequency Range	47Hz to 63Hz	
Inrush Current	65A (Twidth=360µs 230V AC)	
Full Load Efficiency (Typ.)	89.4%	91.2%
AC Current (Max.)	2.4A	
Leakage Current	<0.5mA	
Power Factor	PF>0.99/120V AC PF>0.98/230V AC (Full Loading)	
<b>Protection</b>		
Short Circuit	Constant current mode, recovers automatically after fault condition is removed	
Over Loading	≤120% constant current limiting, recovers automatically after fault condition is removed	
Over Temperature	100°C ±10°C, Shut down/p voltage, recovers automatically after fault condition is removed	
Protection Class	I	
<b>Environment</b>		
Working Temperature	-40 to +60°C (Refer to derating curve)	
Working Humidity	20% to 95% RH, non-condensing	
Storage Temperature, Humidity	-40°C to +80°C, 10% RH to 95% RH	
Temperature Coefficient	±0.03%/°C (0°C to 50°C)	
Vibration	10Hz to 500Hz, 5G 10min./ 1 cycle, period for 60min.each along X, Y, Z axes	
<b>Safety &amp; EMC</b>		
Safety Standards	EN61347-1, EN61347-2-13, IP66	
Withstand Voltage	I/P-O/P:3.75KV AC I/P-FG:1.88KV AC O/P-FG:0.5KV AC	
Isolation Resistance	I/P-O/P I/P-FG O/P-FG: 100MΩ/500V DC/25°C/70%RH	
EMC Emission	Compliance to EN55015, EN61000-3-2, EN61000-3-3 (≥60% load)	
EMC Immunity	Compliance to EN61000-4-2,3,4,5,6,11, EN61547	

Newark.com/multicomp-pro  
Farnell.com/multicomp-pro  
Element14.com/multicomp-pro

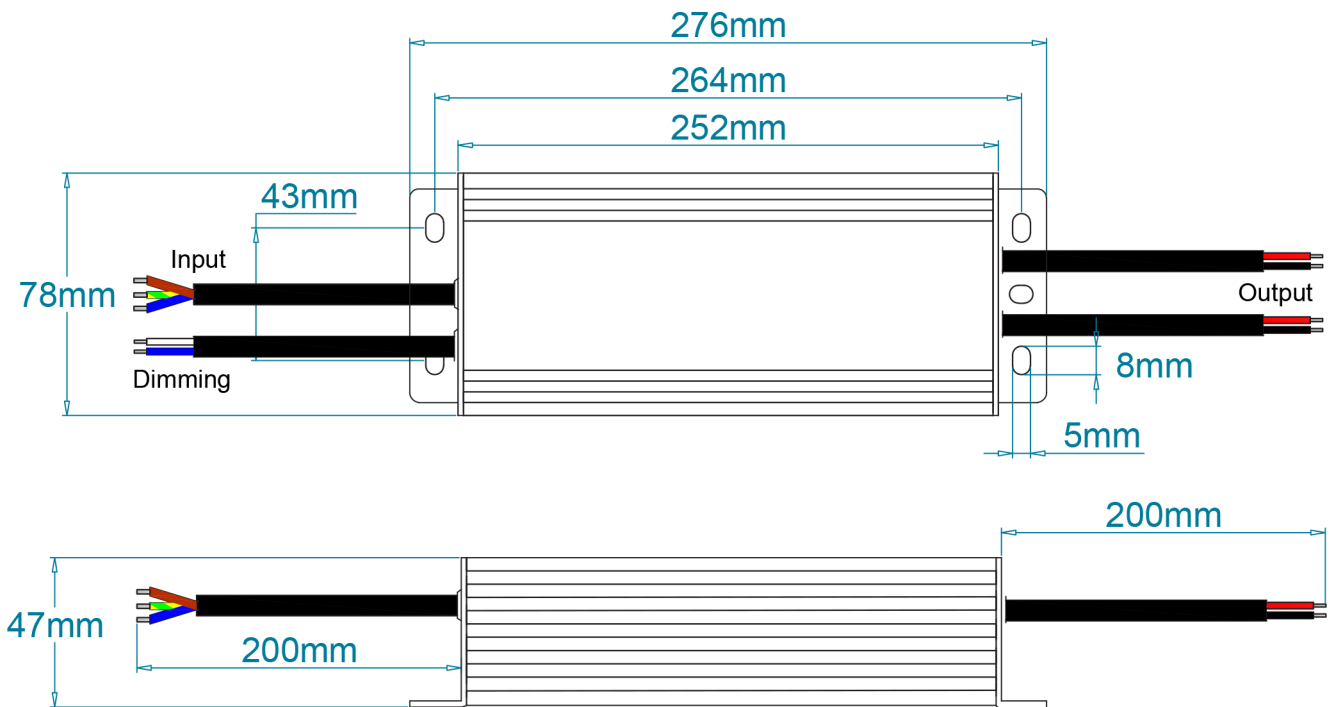
**multicomp** PRO

# 360W DALI & Push Dimmable LED Drivers

**multicomp** PRO

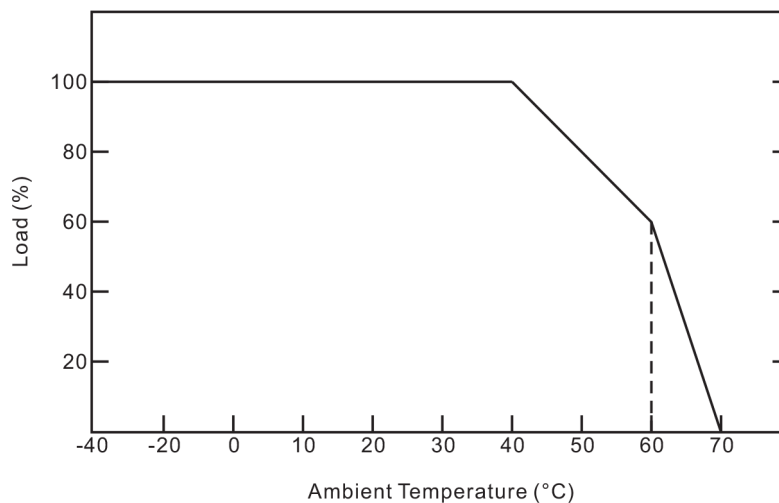
Models	MP007752	MP007753
<b>Other Specifications</b>		
Weight	1.65 Kg	
Size	276mm × 78mm × 47mm	
Packing	390mm × 310mm × 185mm (10PCS/CTN)	

## Mechanical Specification



Dimensions : Millimetres

## Derating Curve

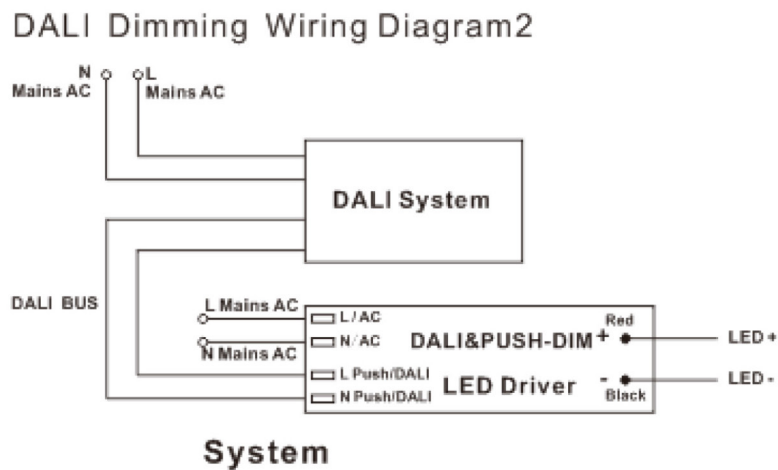
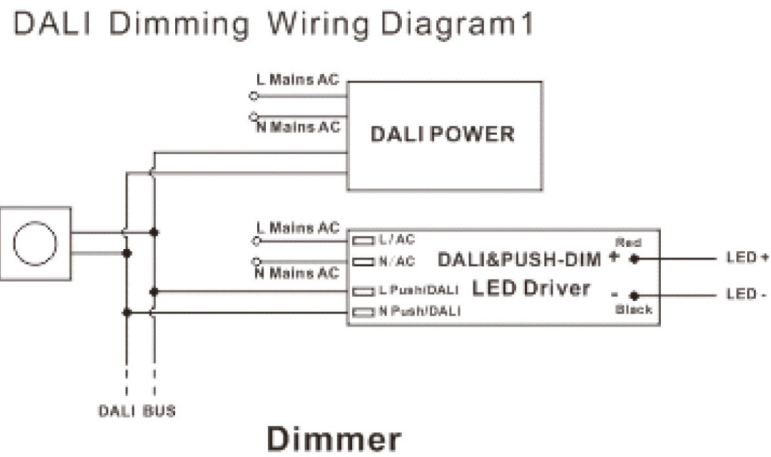


Newark.com/multicomp-pro  
 Farnell.com/multicomp-pro  
 Element14.com/multicomp-pro

**multicomp** PRO

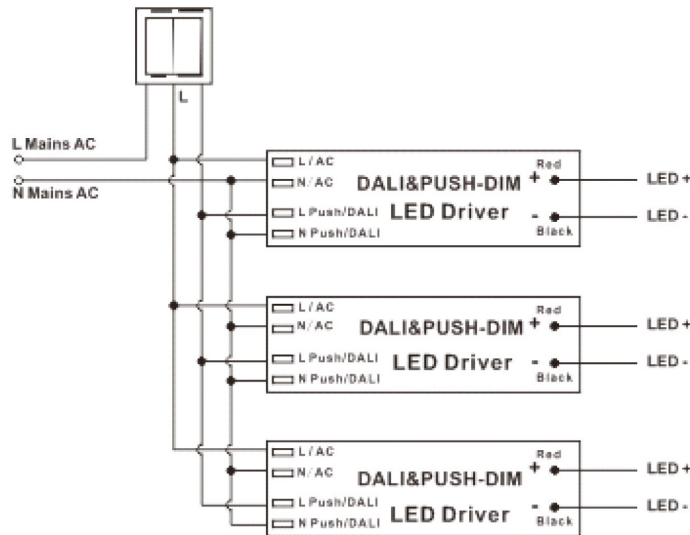
# 360W DALI & Push Dimmable LED Drivers

## Connecting Diagram



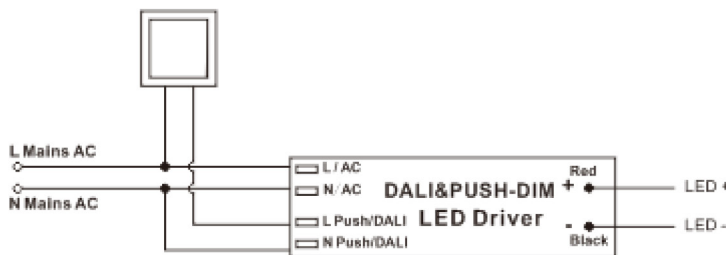
# 360W DALI & Push Dimmable LED Drivers

Push-Dimming Wiring Diagram1



Dimmer (with ON/OFF function)

Push-Dimming Wiring Diagram2



Dimmer

## Part Number Table

Description	Part Number
DALI & Push Dimmable LED Driver, 360W, 12V, IP66	MP007752
DALI & Push Dimmable LED Driver, 360W, 24V, IP66	MP007753

**Important Notice :** This data sheet and its contents (the "Information") belong to the members of the AVNET group of companies (the "Group") or are licensed to it. No licence is granted for the use of it other than for information purposes in connection with the products to which it relates. No licence of any intellectual property rights is granted. The Information is subject to change without notice and replaces all data sheets previously supplied. The Information supplied is believed to be accurate but the Group assumes no responsibility for its accuracy or completeness, any error in or omission from it or for any use made of it. Users of this data sheet should check for themselves the Information and the suitability of the products for their purpose and not make any assumptions based on information included or omitted. Liability for loss or damage resulting from any reliance on the Information or use of it (including liability resulting from negligence or where the Group was aware of the possibility of such loss or damage arising) is excluded. This will not operate to limit or restrict the Group's liability for death or personal injury resulting from its negligence. DURATOOL is the registered trademark of Premier Farnell Limited 2019.