

75W DALI & Push Dimmable LED Drivers

multicomp PRO

**RoHS
Compliant**

Features

- Constant voltage/ PWM Output
- DALI & Push dimming function
- AC input: 100V AC to 265V AC
- Built-in active PFC function
- Efficiency up to 87%
- Protections: Short circuit/ Over load/ Over temperature
- Cooling by free air convection
- IP20 design for indoor installation.
- Suitable for intelligent LED lighting



Models	MP007744	MP007745
Output Specifications		
Output Voltage	12V	24V
Voltage Tolerance	±0.5V	
Output Current	6.25A	3.12A
Rated Power	75W	
Load Regulation	± 2%	
Input Specifications		
Input Voltage	200V AC to 240V AC	
Frequency Range	47Hz to 63Hz	
Inrush Current	56A (Twidth=260µs 230V AC)	
Full Load Efficiency (Typ.)	87%	86%
AC Current (Max.)	0.55A	
Leakage Current	<0.5mA	
Power Factor	PF>0.95/230V AC (Full Loading)	
Protection		
Short Circuit	Constant current mode, recovers automatically after fault condition is removed	
Over Loading	≤120% constant current limiting, recovers automatically after fault condition is removed	
Over Temperature	100°C± 10°C	
Protection Class	II	
Environment		
Working Temperature	-40 to +60°C (Refer to derating curve)	
Working Humidity	20% to 95% RH, non-condensing	
Storage Temperature, Humidity	-40°C to +80°C, 10% RH to 95% RH	
Temperature Coefficient	±0.03%/°C (0°C to 50°C)	
Vibration	10-500Hz, 5G 10min./ 1 cycle, period for 60min.each along X, Y, Z axes	
Safety & EMC		
Safety Standards	EN61347-1, EN61347-2-13, EN62493, IP20	
Withstand Voltage	I/P-O/P:3.75KV AC	
Isolation Resistance	I/P-O/P:100MΩ/500VDC/25°C/70%RH	

Newark.com/multicomp-pro
Farnell.com/multicomp-pro
Element14.com/multicomp-pro

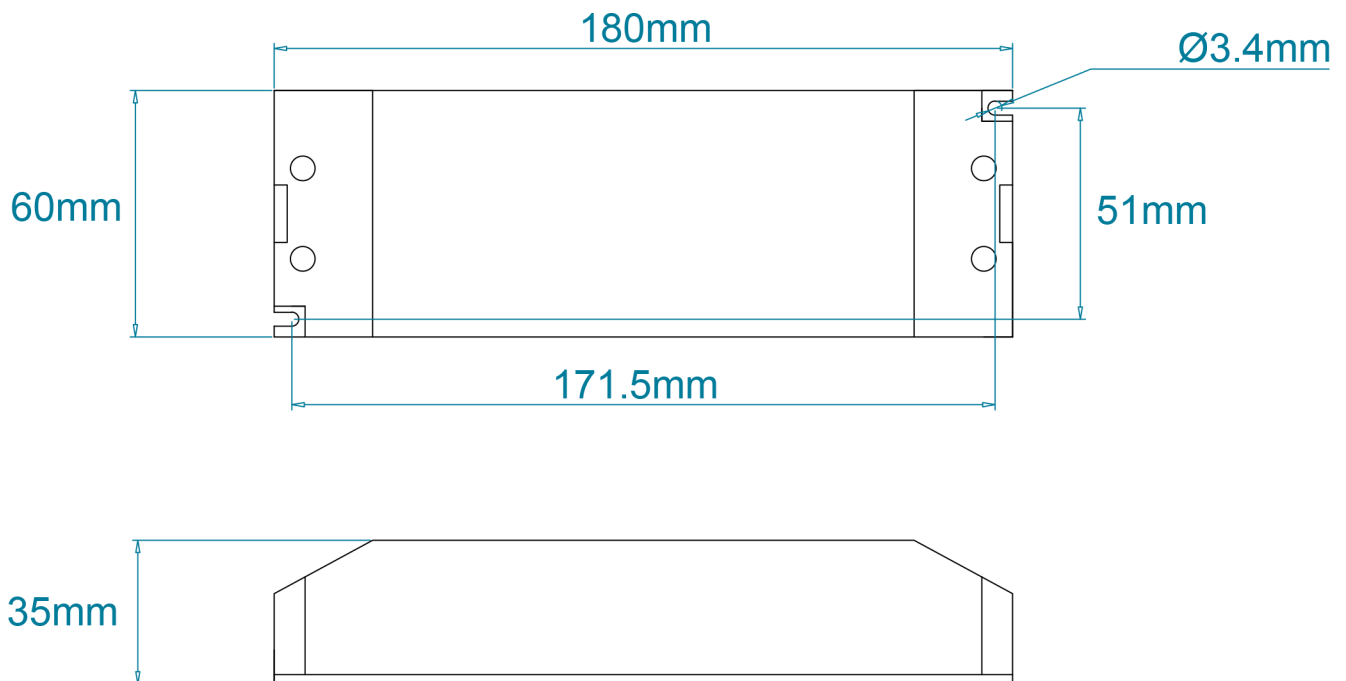
multicomp PRO

75W DALI & Push Dimmable LED Drivers

multicomp PRO

Models	MP007744	MP007745
EMC Emission	Compliance to EN55015, EN61000-3-2, EN61000-3-3 (≥60% load)	
EMC Immunity	Compliance to EN61000-4-2,3,4,5,6,11, EN61547	
Other Specifications		
Weight	0.48Kg	
Size	180mm × 60mm × 35mm	
Packing	355mm × 215mm × 215mm (20PCS/CTN, 11 Kg/CTN))	

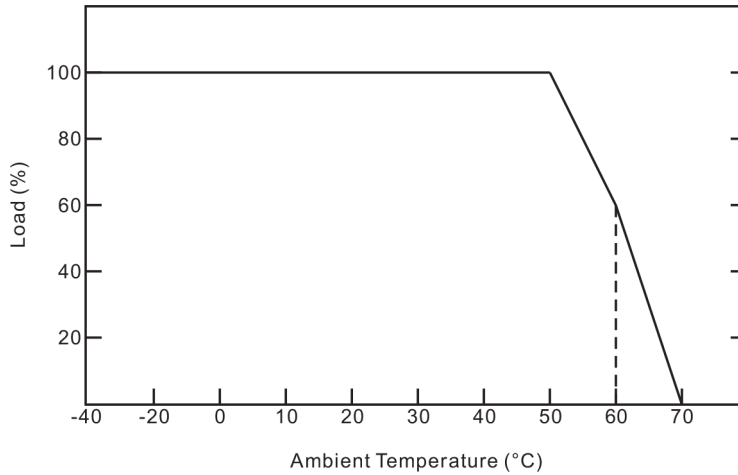
Mechanical Specification



Dimensions : Millimetres

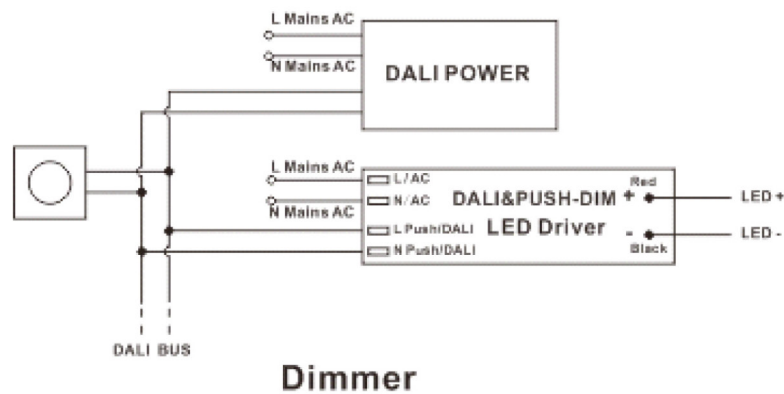
75W DALI & Push Dimmable LED Drivers

Derating Curve

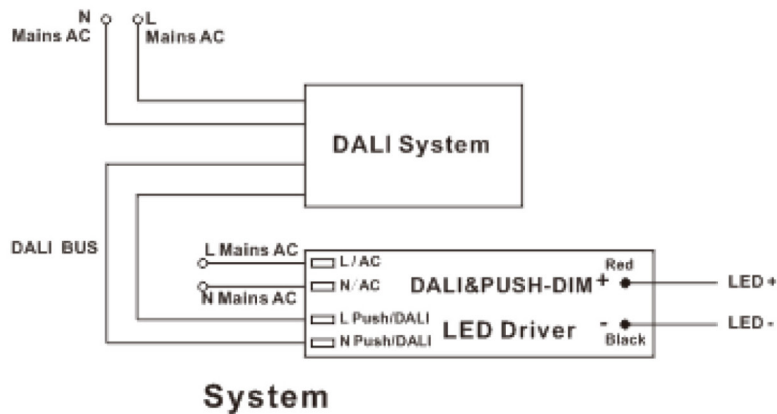


Dimming Operation

DALI Dimming Wiring Diagram 1



DALI Dimming Wiring Diagram 2

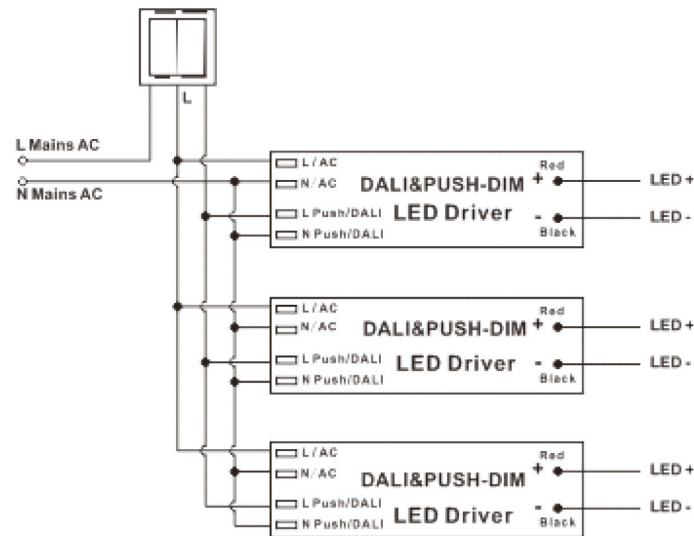


75W DALI & Push Dimmable LED Drivers



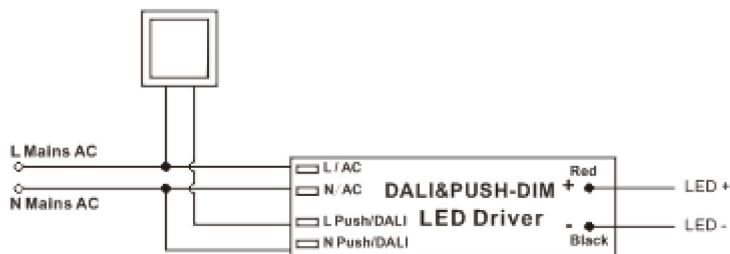
Dimming Operation

Push-Dimming Wiring Diagram 1



Dimmer (with ON/OFF function)

Push-Dimming Wiring Diagram 2



Dimmer

Part Number Table

Description	Part Number
DALI & Push Dimmable LED Driver, 75W, 12V, IP20	MP007744
DALI & Push Dimmable LED Driver, 75W, 24V, IP20	MP007745

Important Notice : This data sheet and its contents (the "Information") belong to the members of the AVNET group of companies (the "Group") or are licensed to it. No licence is granted for the use of it other than for information purposes in connection with the products to which it relates. No licence of any intellectual property rights is granted. The Information is subject to change without notice and replaces all data sheets previously supplied. The Information supplied is believed to be accurate but the Group assumes no responsibility for its accuracy or completeness, any error in or omission from it or for any use made of it. Users of this data sheet should check for themselves the Information and the suitability of the products for their purpose and not make any assumptions based on information included or omitted. Liability for loss or damage resulting from any reliance on the Information or use of it (including liability resulting from negligence or where the Group was aware of the possibility of such loss or damage arising) is excluded. This will not operate to limit or restrict the Group's liability for death or personal injury resulting from its negligence. DURATOOL is the registered trademark of Premier Farnell Limited 2019.

Newark.com/multicomp-pro
 Farnell.com/multicomp-pro
 Element14.com/multicomp-pro

